

ROZHE RESIDENTIAL

PEIDA STUDIO

FINAL PERESENTATION

## PEIDA STUDIO

---

Peida Studio is a young community based on friendly relations, which is looking for new and ambitious experiences with an emphasis on extensive knowledge and experience. Creating an atmosphere based on providing comfort and creating a safe, compatible and new platform is the key approach of this collection.

## INFO

FOUNDED BY ANNA AKHLAGHI & HOSSEIN KARIMI, 2016

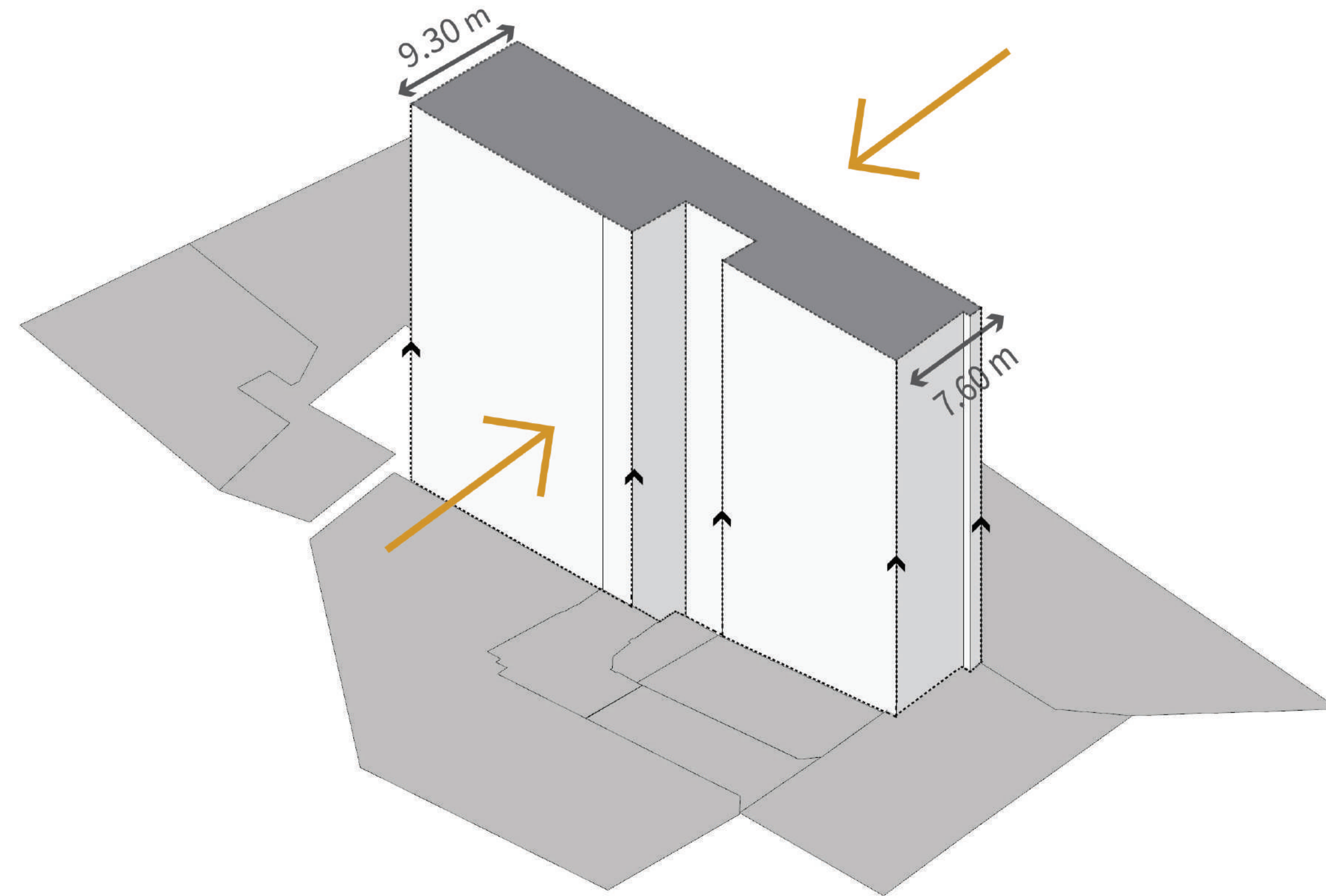
ADDRESS :NO.2 , KERMANSHAHI D.END , FANAKHOSRO ST ,  
TAJRISH SQ , TEHRAN

EMAIL : PEIDASTUDIO@YAHOO.COM

INSTAGRAM : PEIDA.STUDIO

TEL : 02122719221 - 09124845112

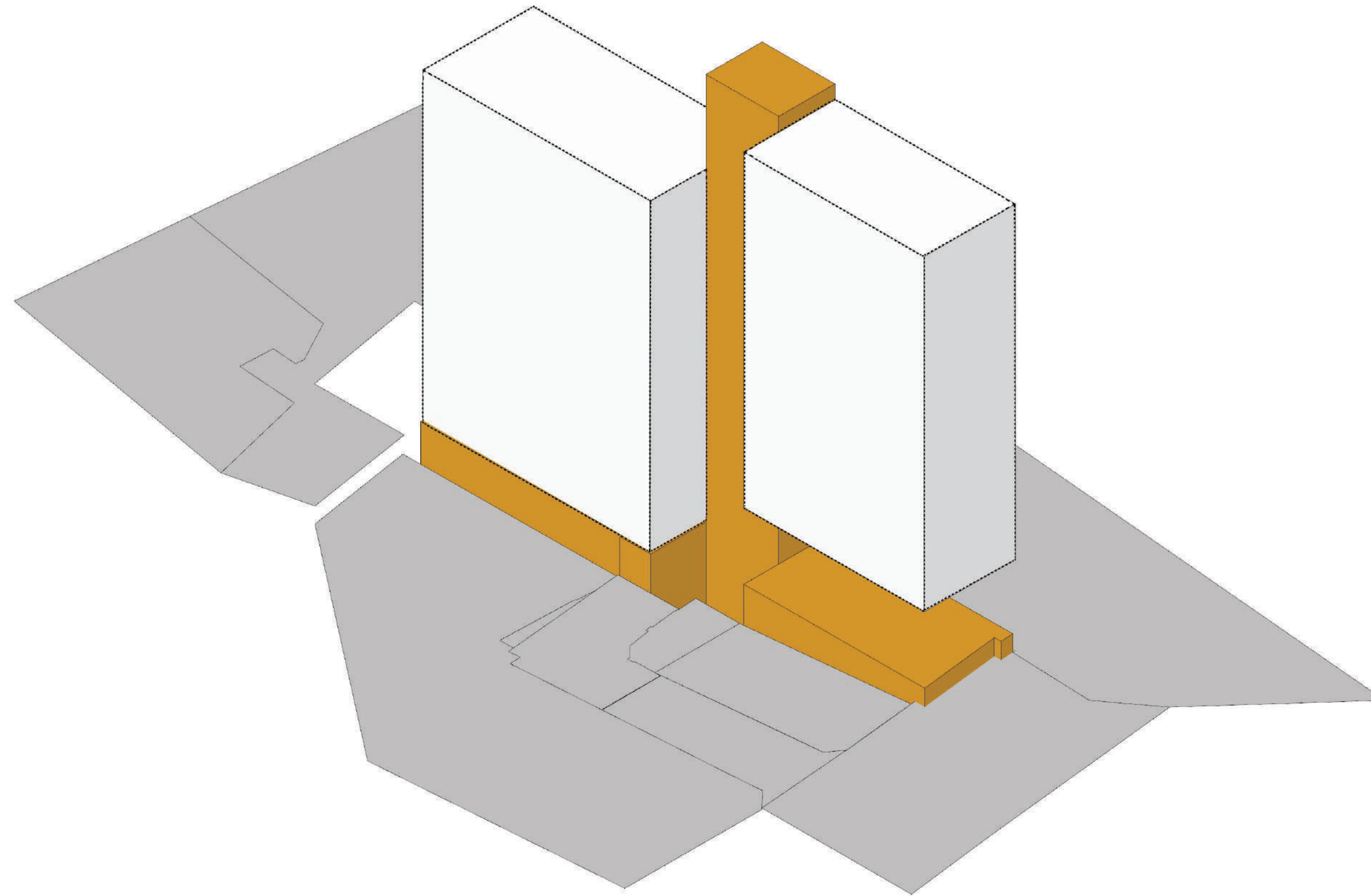
CONCEPT DIAGRAM



Extruding Mass

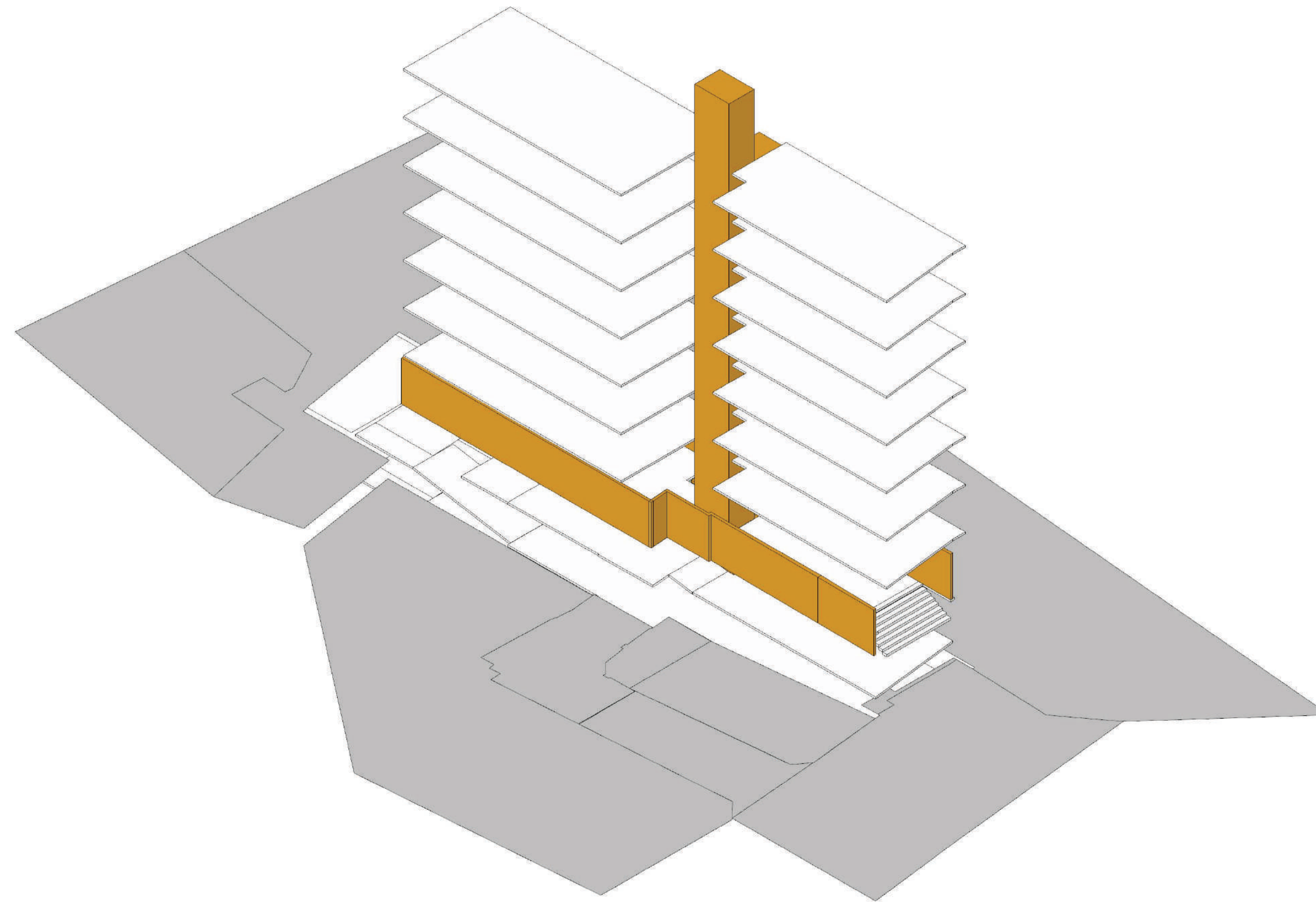


CONCEPT DIAGRAM



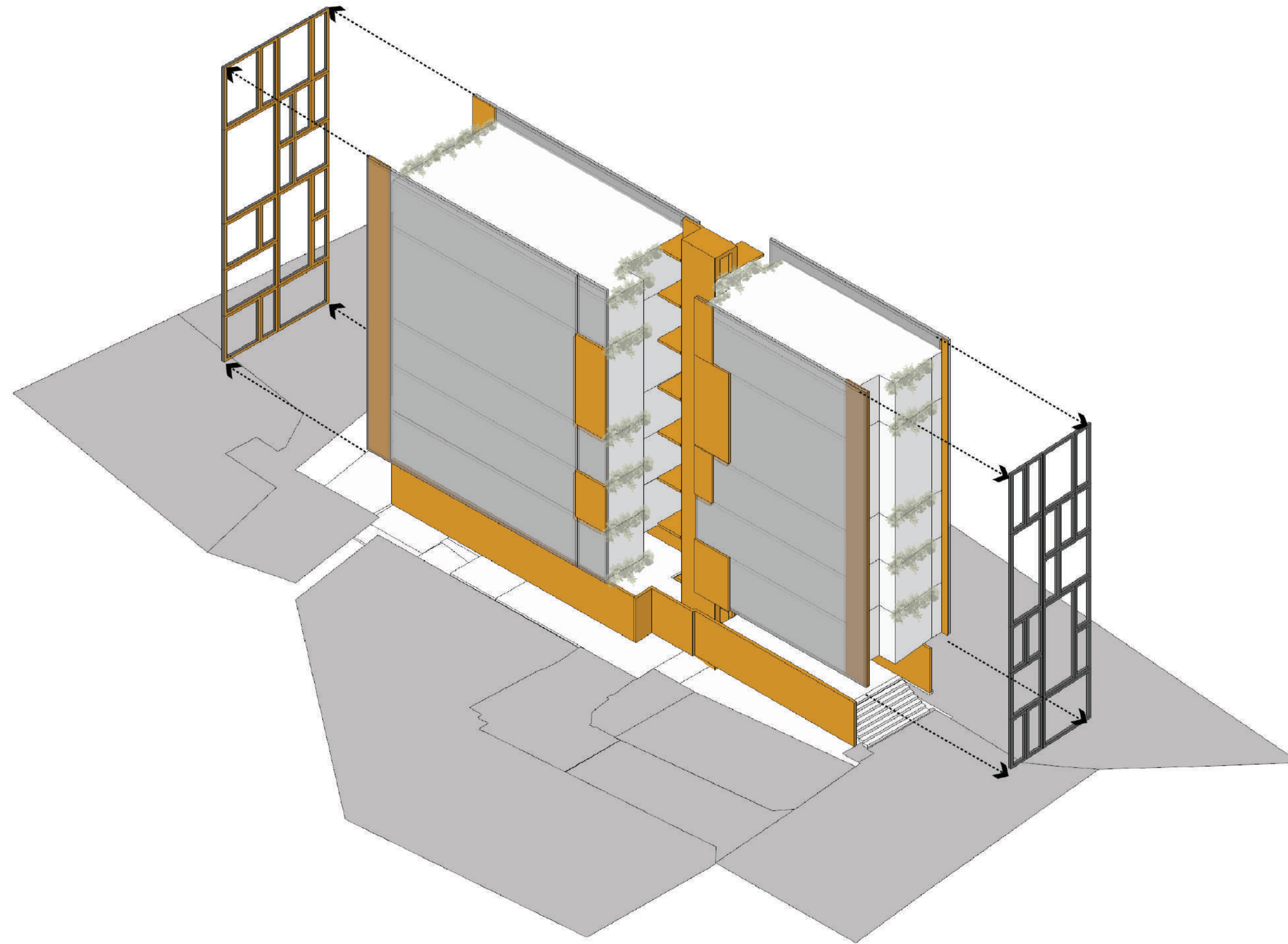
Divided By Void

CONCEPT DIAGRAM



Each Floor Has Two Levels

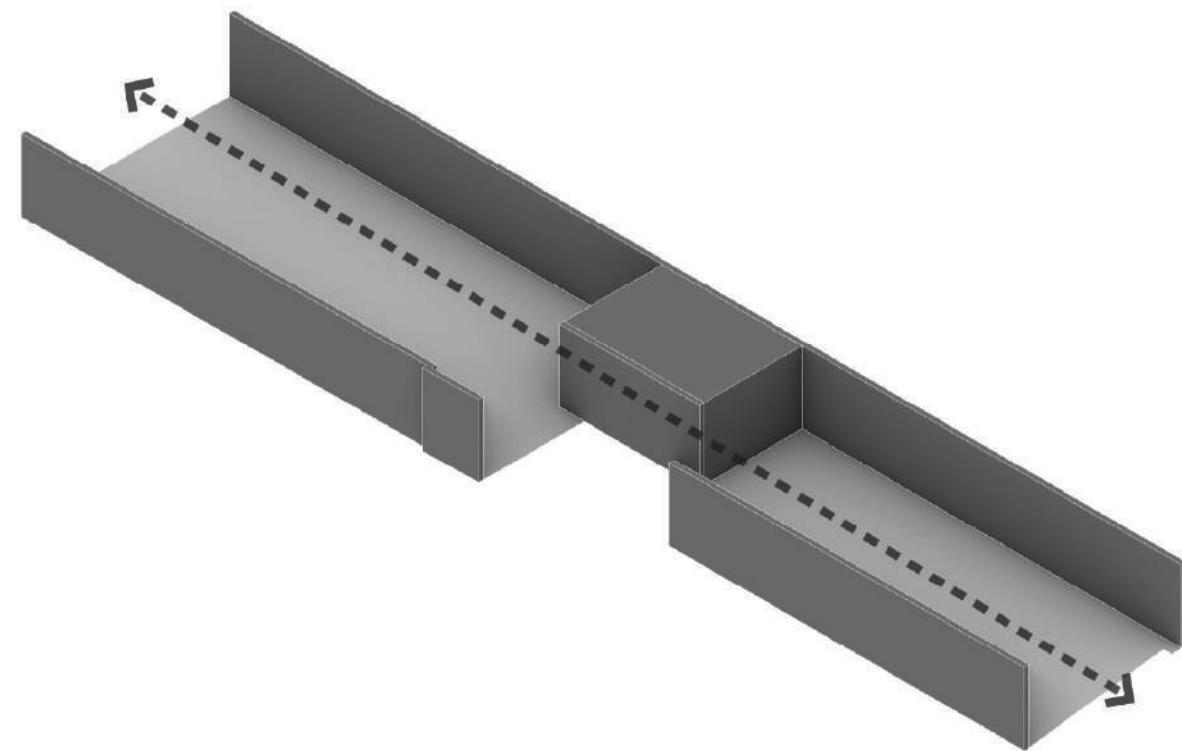
CONCEPT DIAGRAM



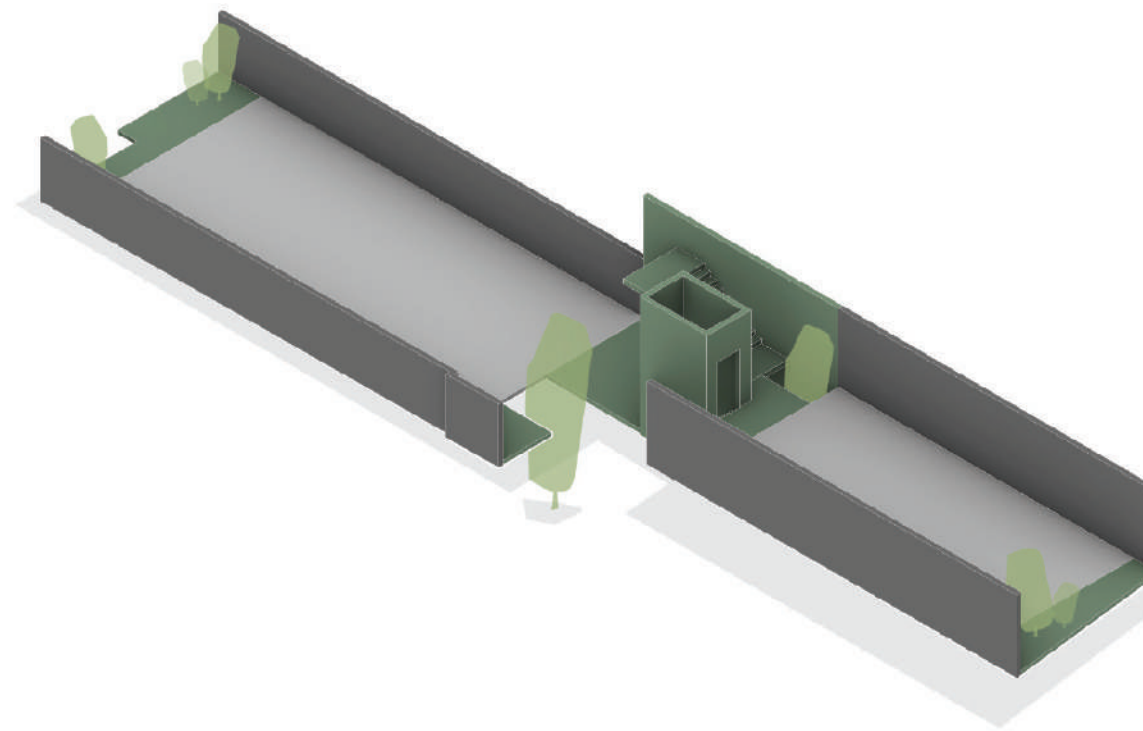
Internal Green Layer



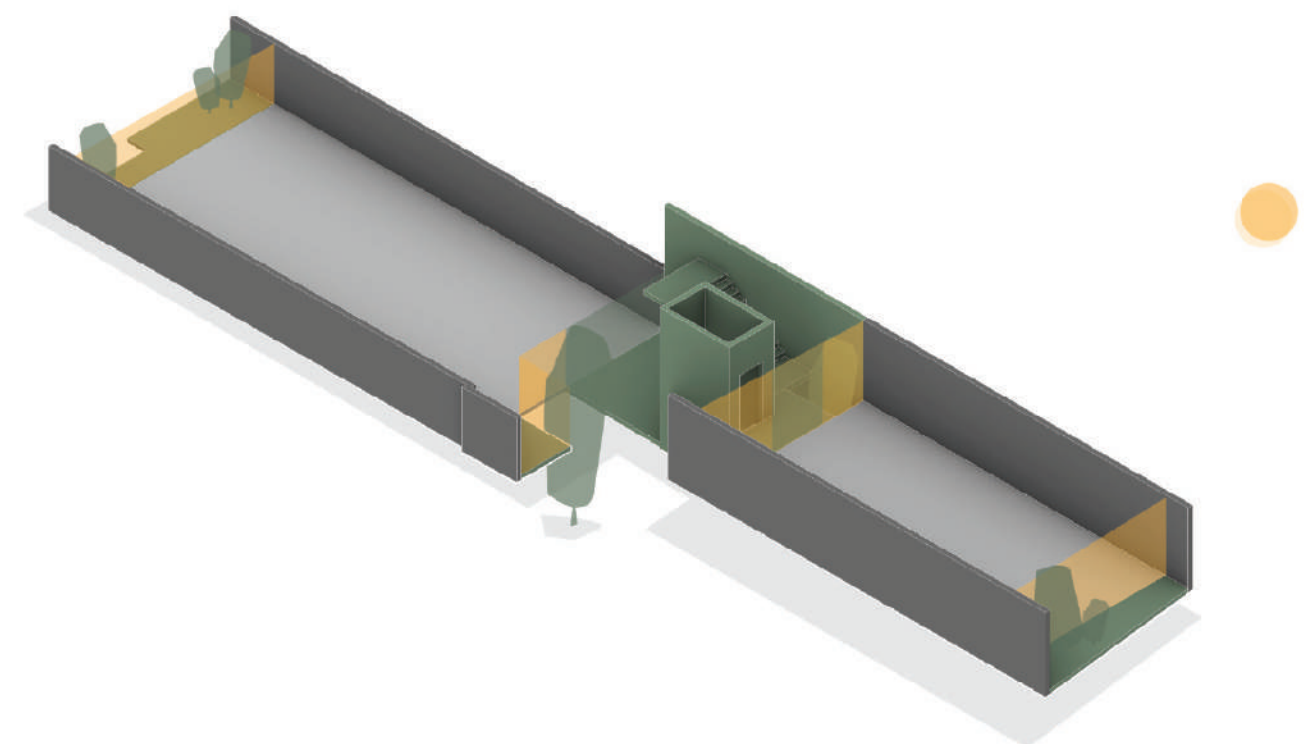
PROCESS OF DESIGN



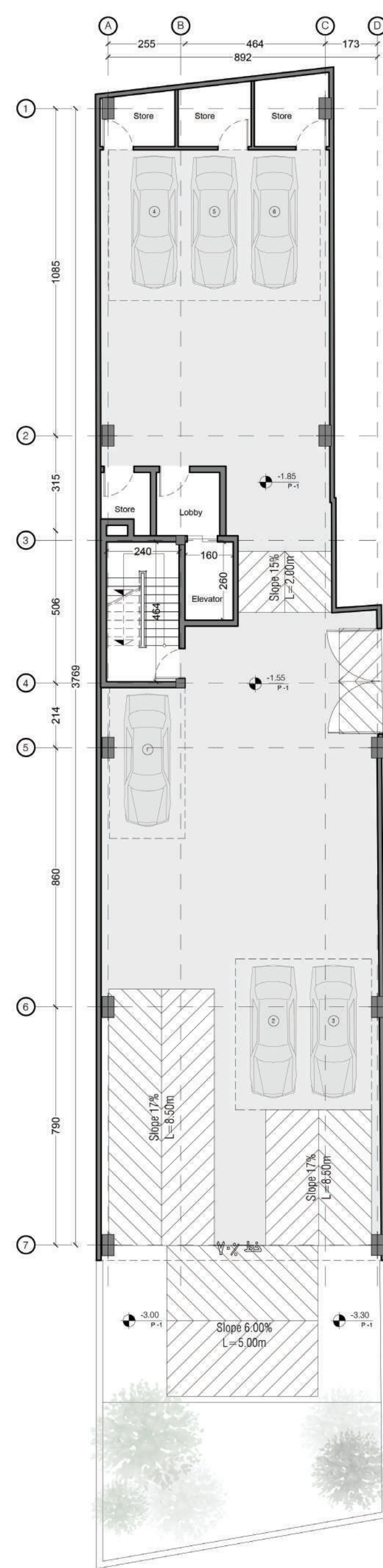
Long Plan & Narrow Width



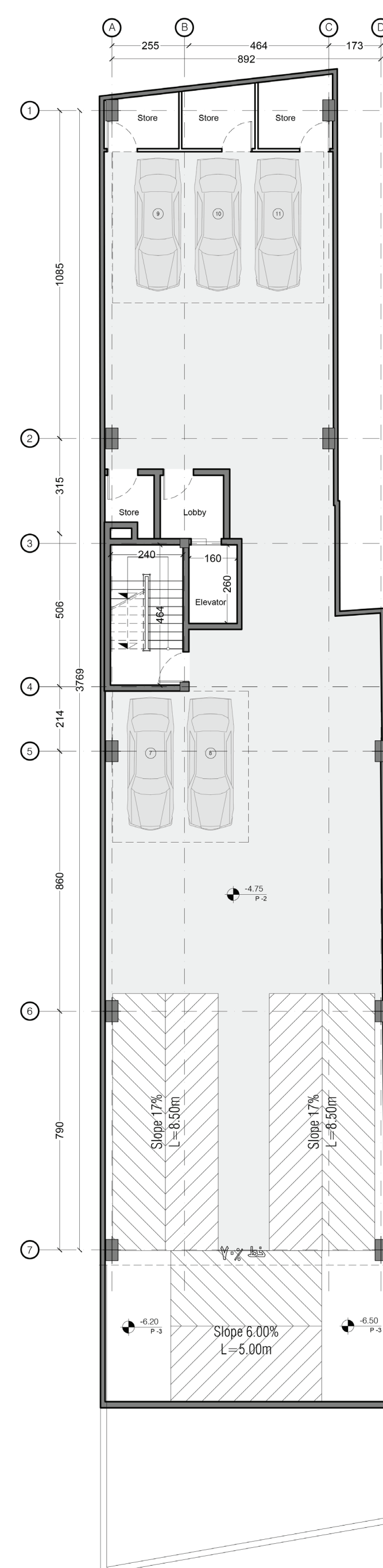
Create Green Voids



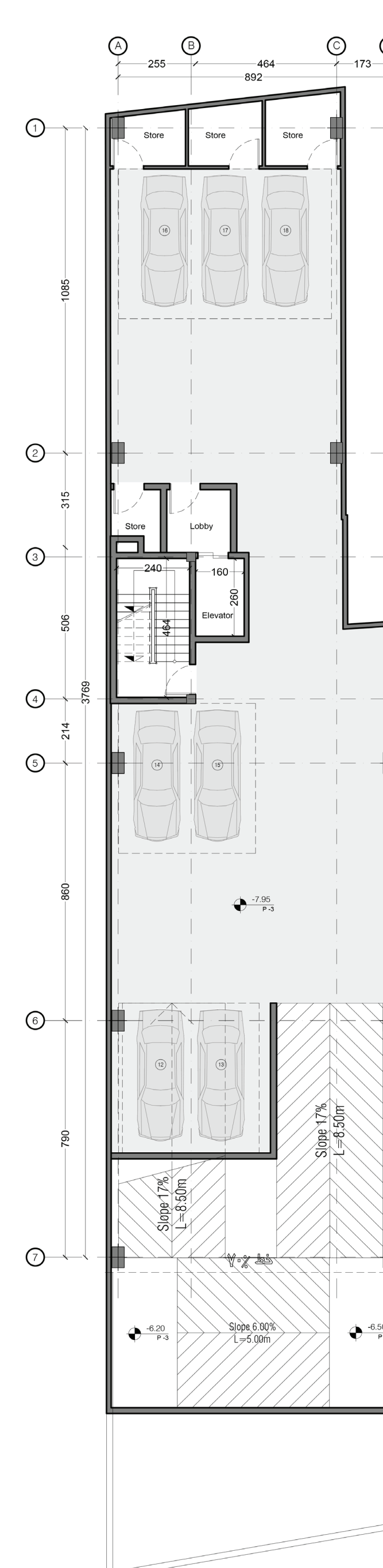
Increasing Natural Light



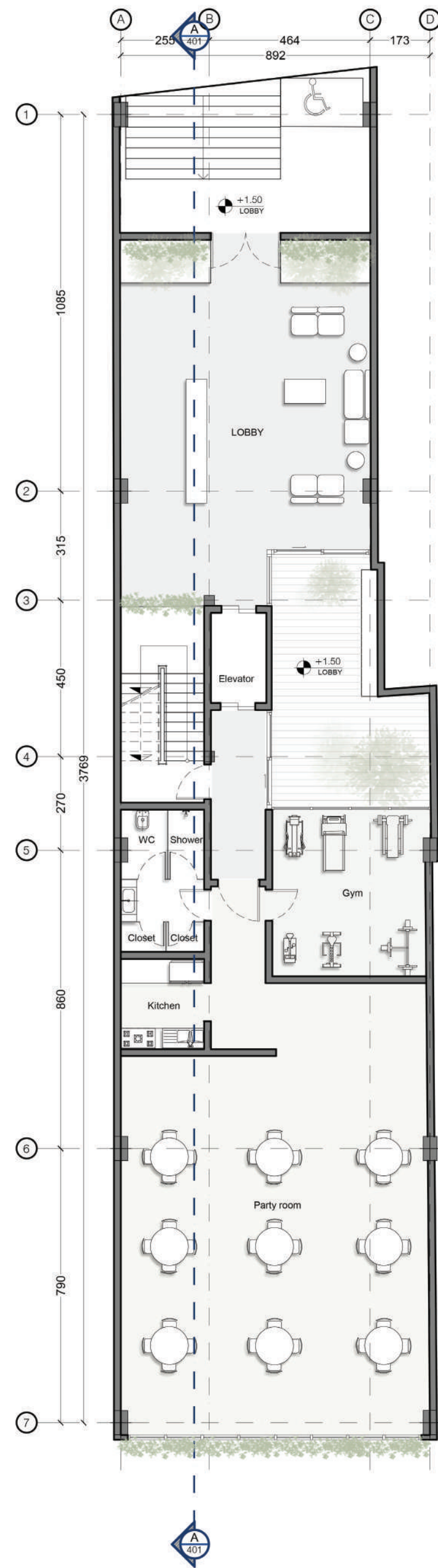
-1 Floor Plan  
SCALE : 1:200



-2 Floor Plan  
SCALE : 1:200



-3 Floor Plan  
SCALE : 1:200

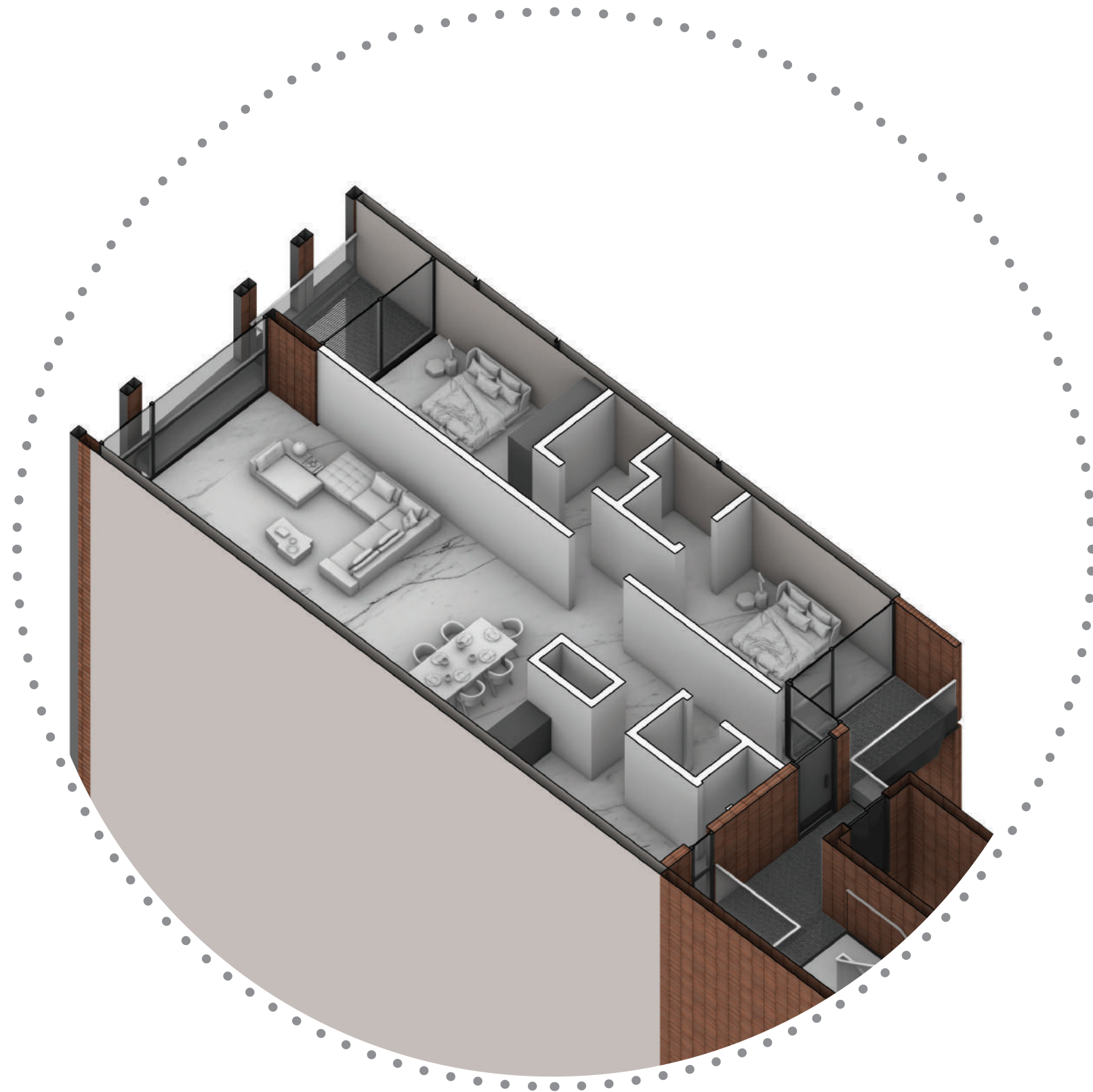


Ground Floor Plan  
SCALE : 1,200

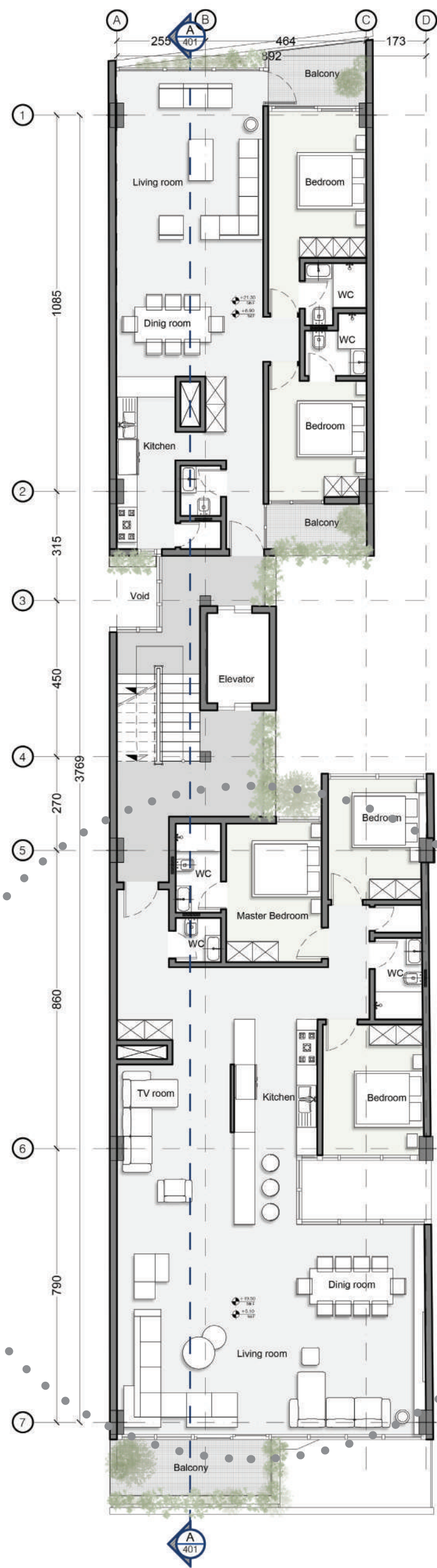




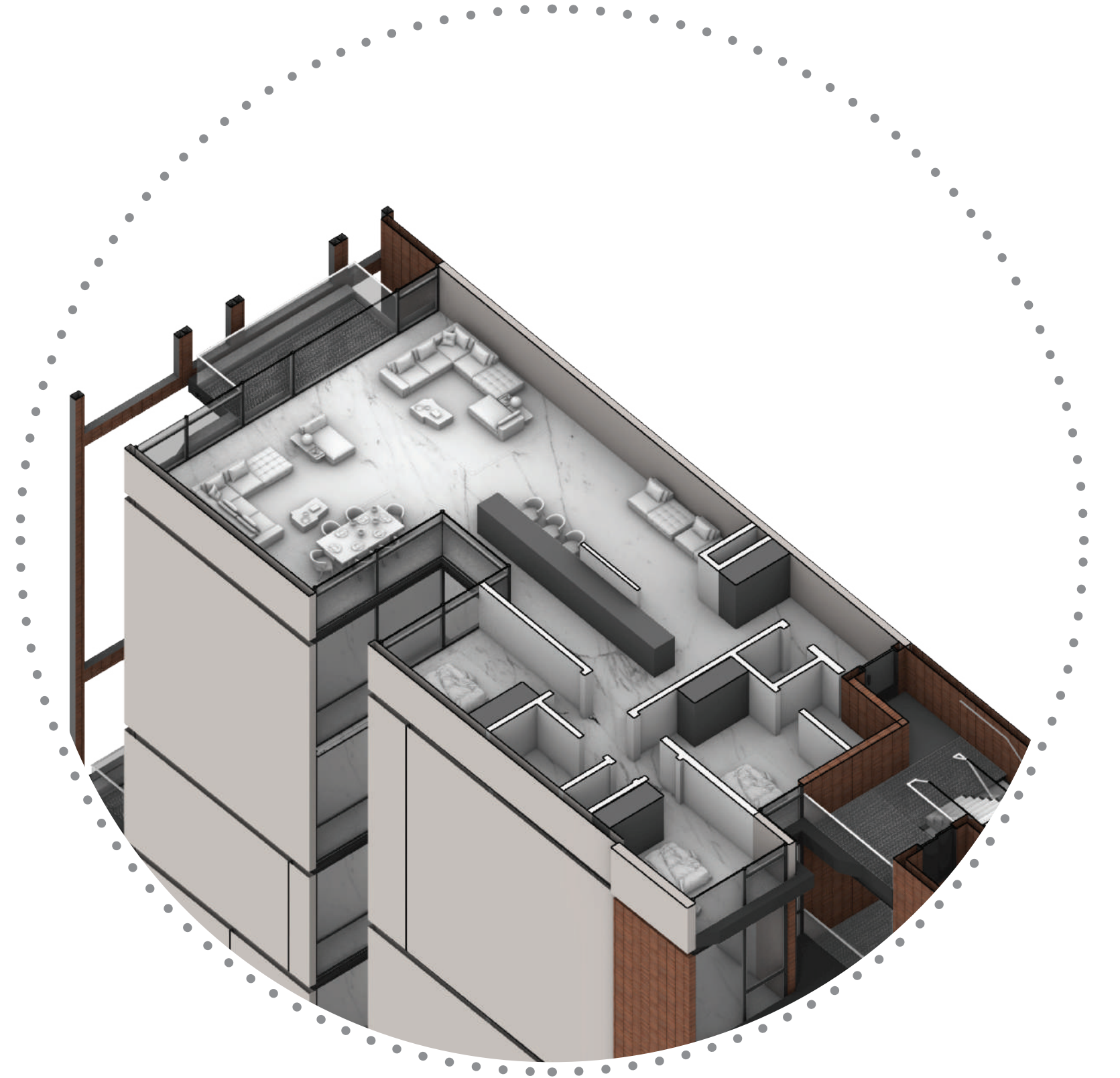
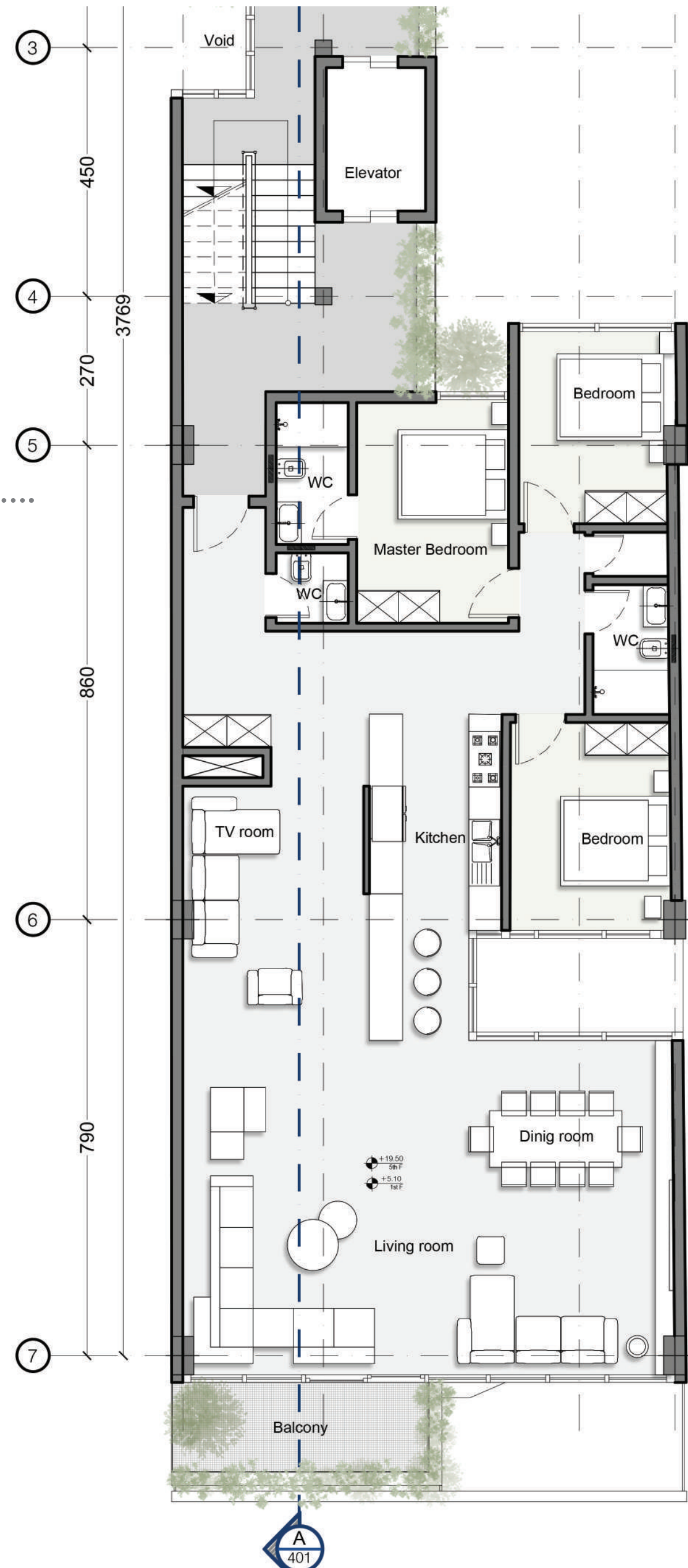
Floor Plan



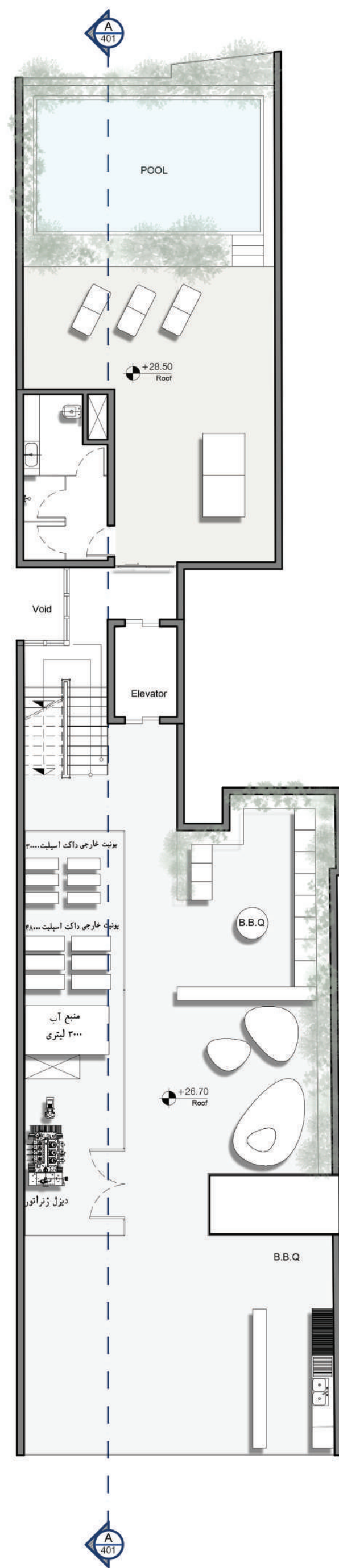


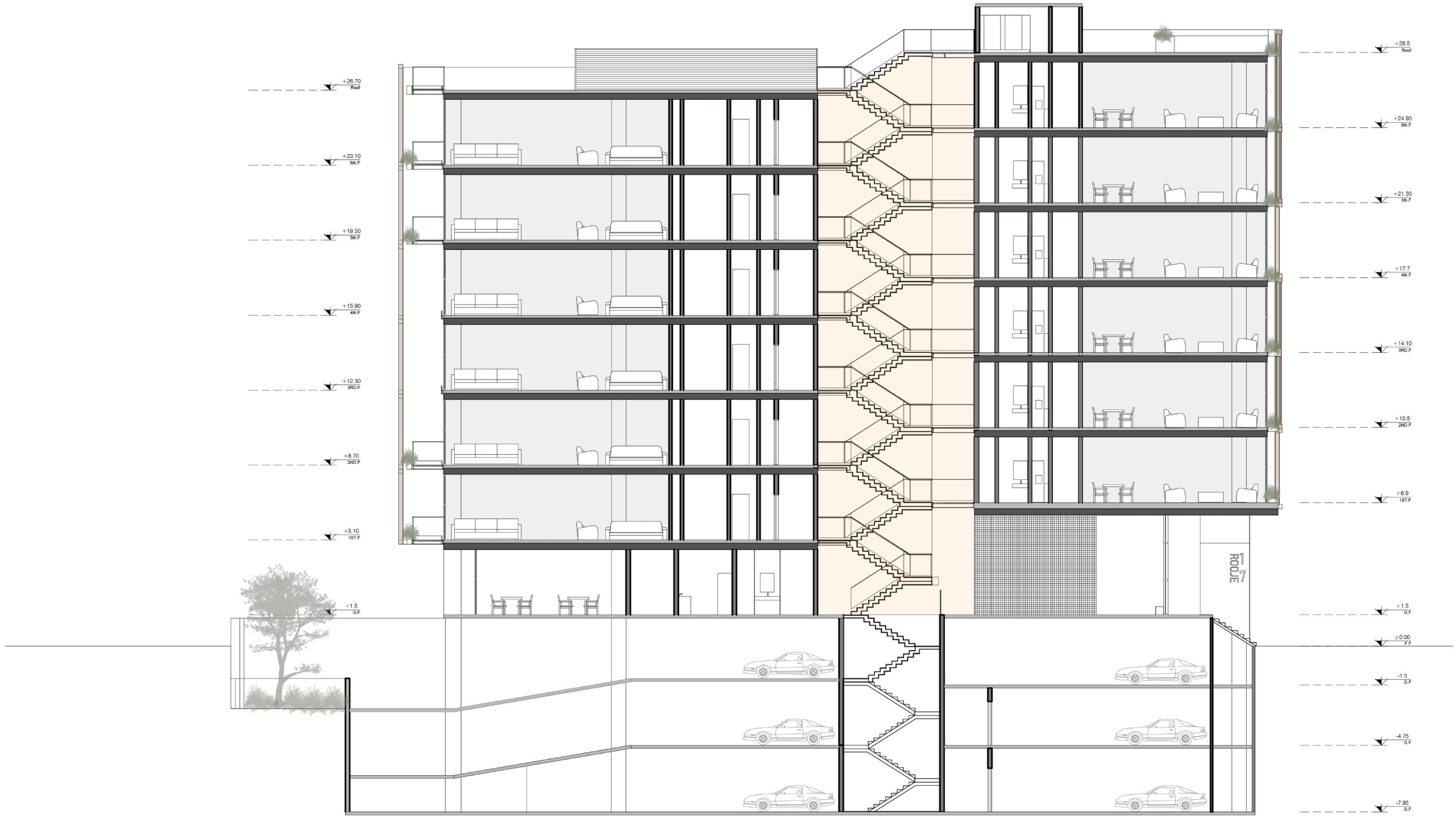


Floor Plan  
SCALE: 1:200







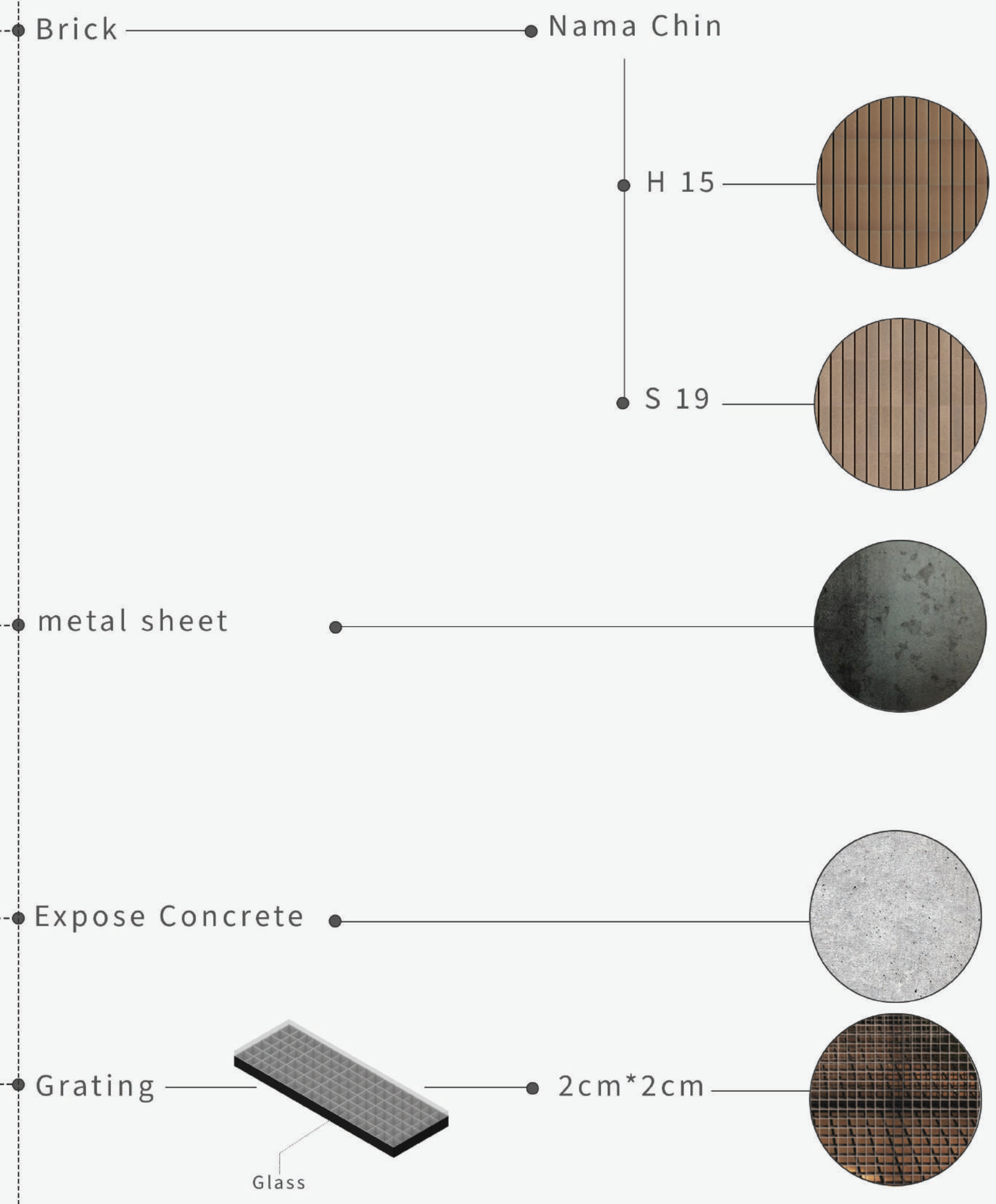


Section A-A  
SCALE: 1/300





• Facade Material



ROOJE 17

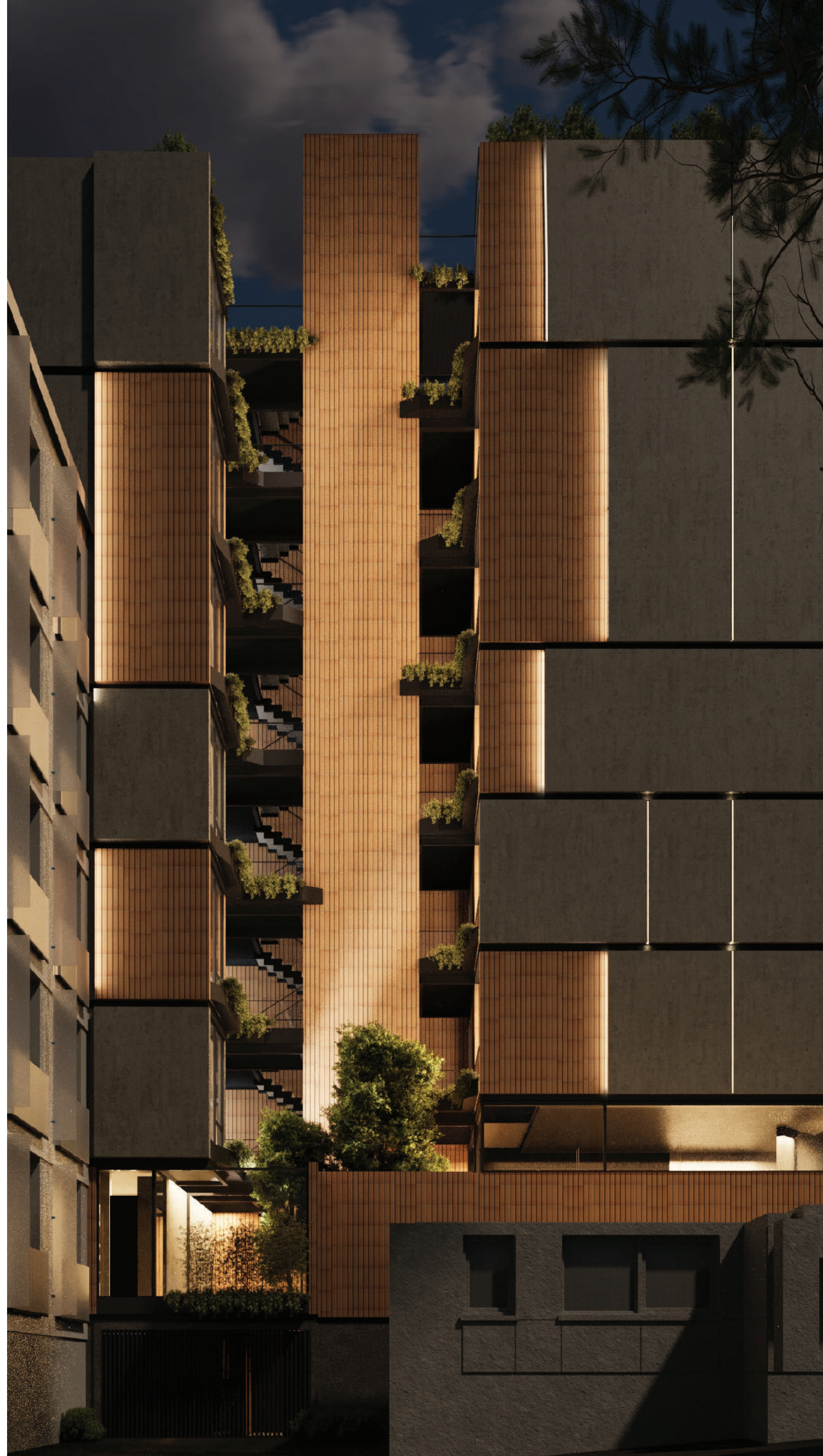








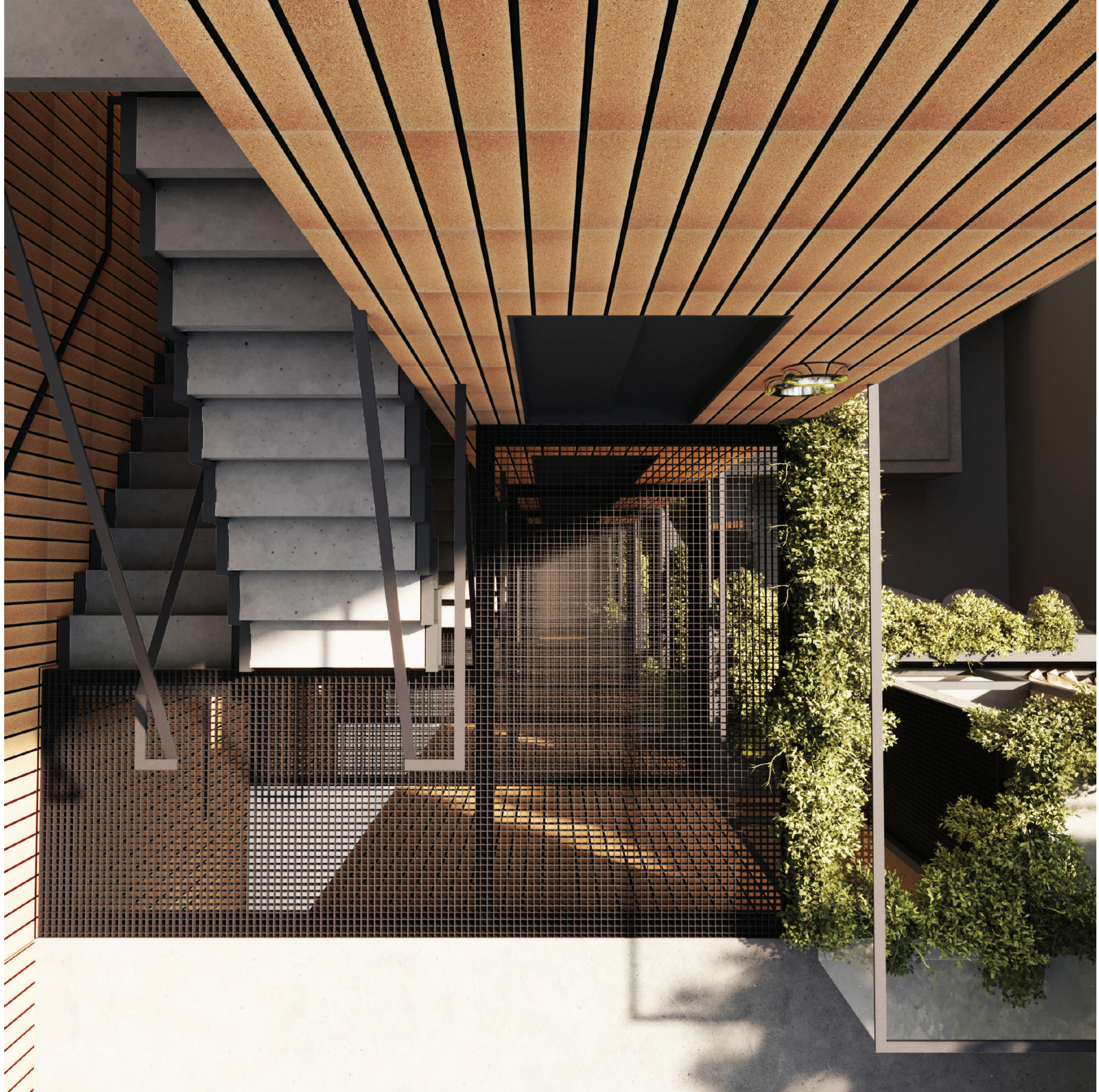




















12  
ROOJE











DON'T QUIT

YES YOU CAN

