

مسجد



+7.40

A B C D E
 4.62 3.02 4.12 5.01
 16.78

1
 2 4.61
 3 4.31
 4 4.11
 5 6.88
 6 5.27



-0.25

±0.00

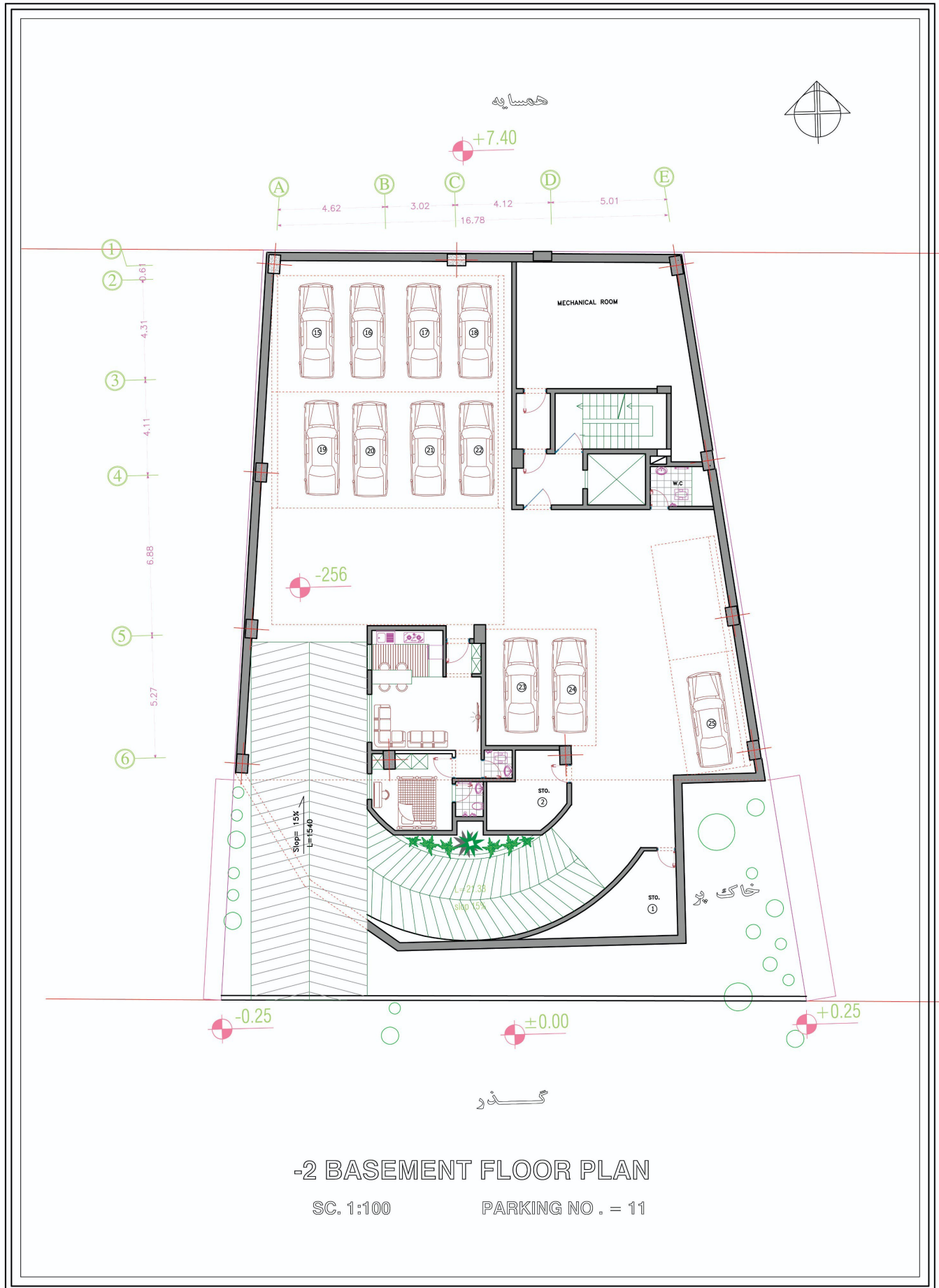
+0.25

مسجد

-2 BASEMENT FLOOR PLAN

SC. 1:100

PARKING NO . = 14



-2 BASEMENT FLOOR PLAN

SC. 1:100

PARKING NO. = 11



-2 BASEMENT FLOOR PLAN

SC. 1:100

PARKING NO. = 11

گنڈر



TYPICAL FLOOR PLAN

SC. 1:100



TYPICAL FLOOR PLAN

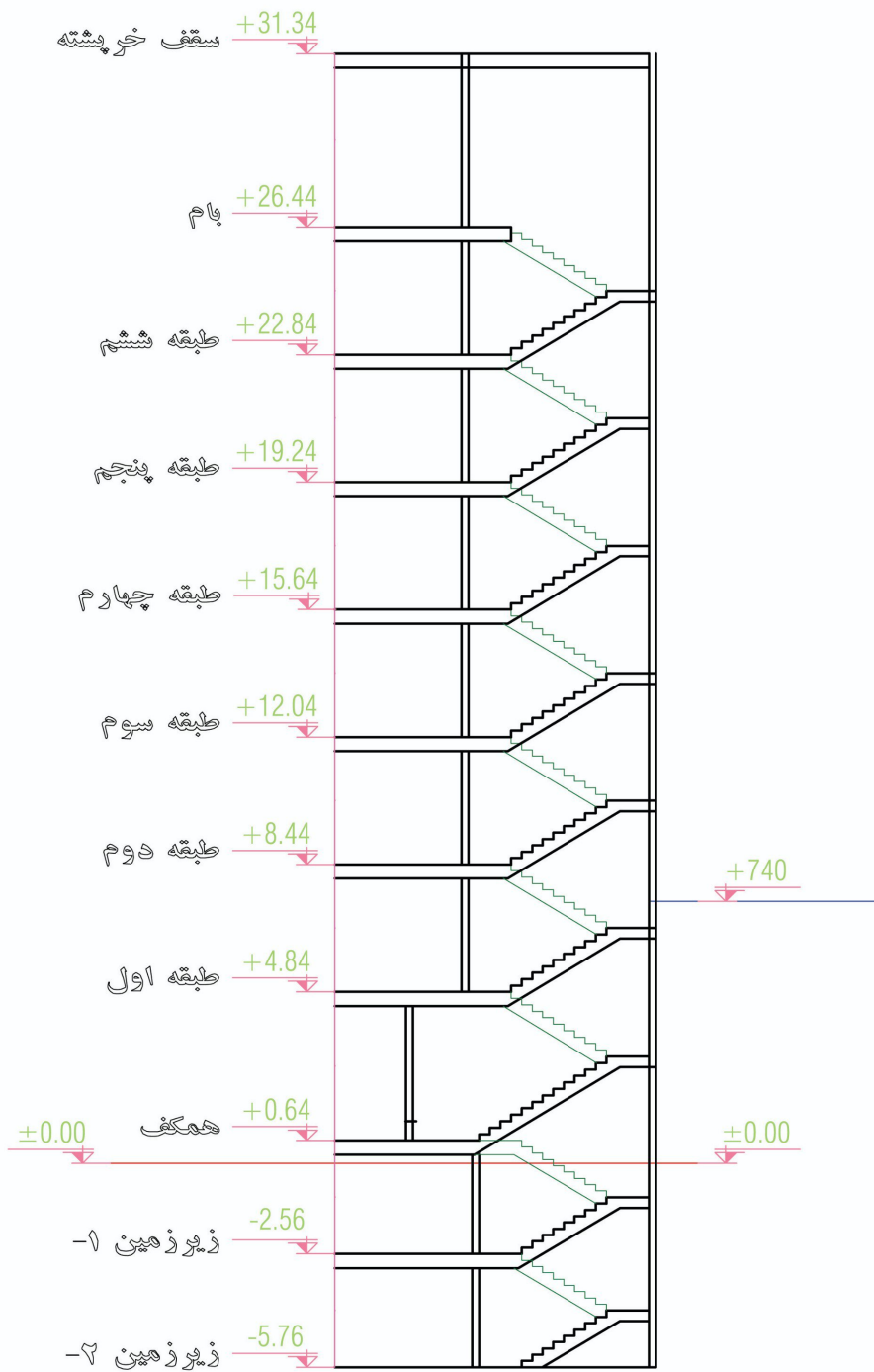
SC. 1:100



GROUND FLOOR PLAN

SC. 1:100

PARKING NO. = 32



Sec A-A

مستوی



+7.40

A B C D E
4.62 3.02 4.12 5.01
16.78

1
2 4.61
3 4.31
4 4.11
5 6.88
6 5.27



-2 BASEMENT FLOOR PLAN

SC. 1:100

PARKING NO . = 14

مستوی