



MANIL

OFFICE BUILDING



MANIL
BUILDING

HOUSE of SHAMSEH
ARCHITECTURAL & INTERIOR DESIGN

Schroab Pirani
ARCHITECT

MANIL
OFFICE BUILDING



HOUSE of SHAMSEH
ARCHITECTURAL & INTERIOR DESIGN

Sohrab Pirani
ARCHITECT

MANIL
OFFICE BUILDING



MANIL

OFFICE BUILDING

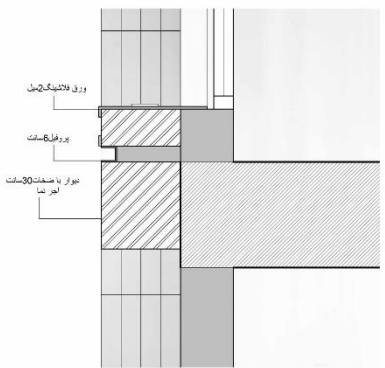


MANIL

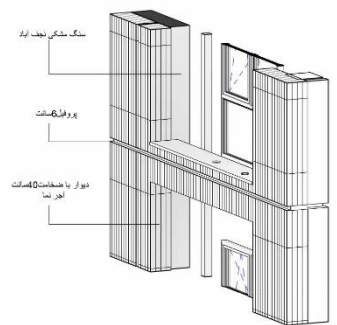
OFFICE BUILDING



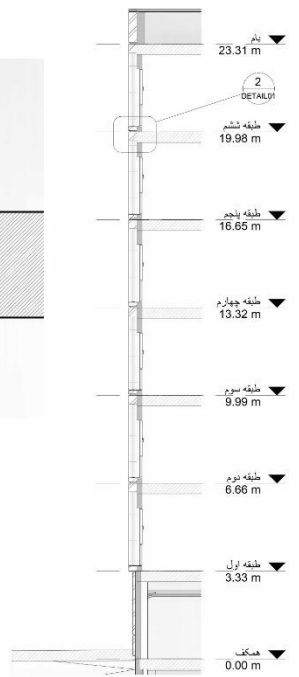
MANIL
OFFICE BUILDING



2 Callout 1
1 : 10



3 3D-DETAIL01

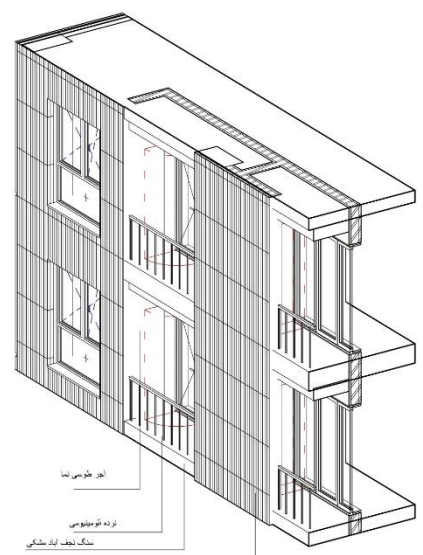


1 Section
1 : 100

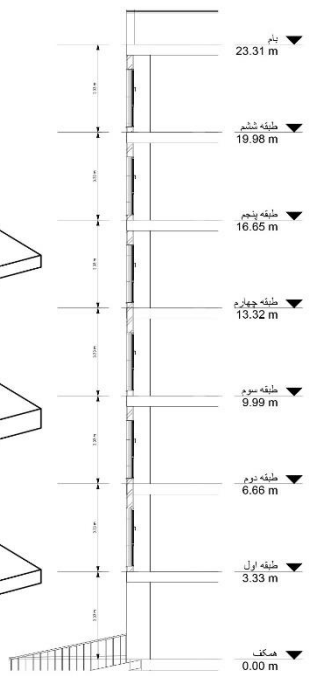
SHAMSEH ARCHITECTURAL OFFICE
Sohrab Pirani

MANIL

PROFILE			
Project number	0001	DETAIL01	
Date	12/06/2021		
Drawn by	N-KAZEM		
Checked by	Checker	Scale	As indicated



3 3D-DETAIL-02



1 Section 01
1 : 100

SHAMSEH ARCHITECTURAL OFFICE
Sohrab Pirani

MANIL

PROFILE			
Project number	0001	DETAIL02	
Date	12/06/2021		
Drawn by	Author		
Checked by	Checker	Scale	1 : 100